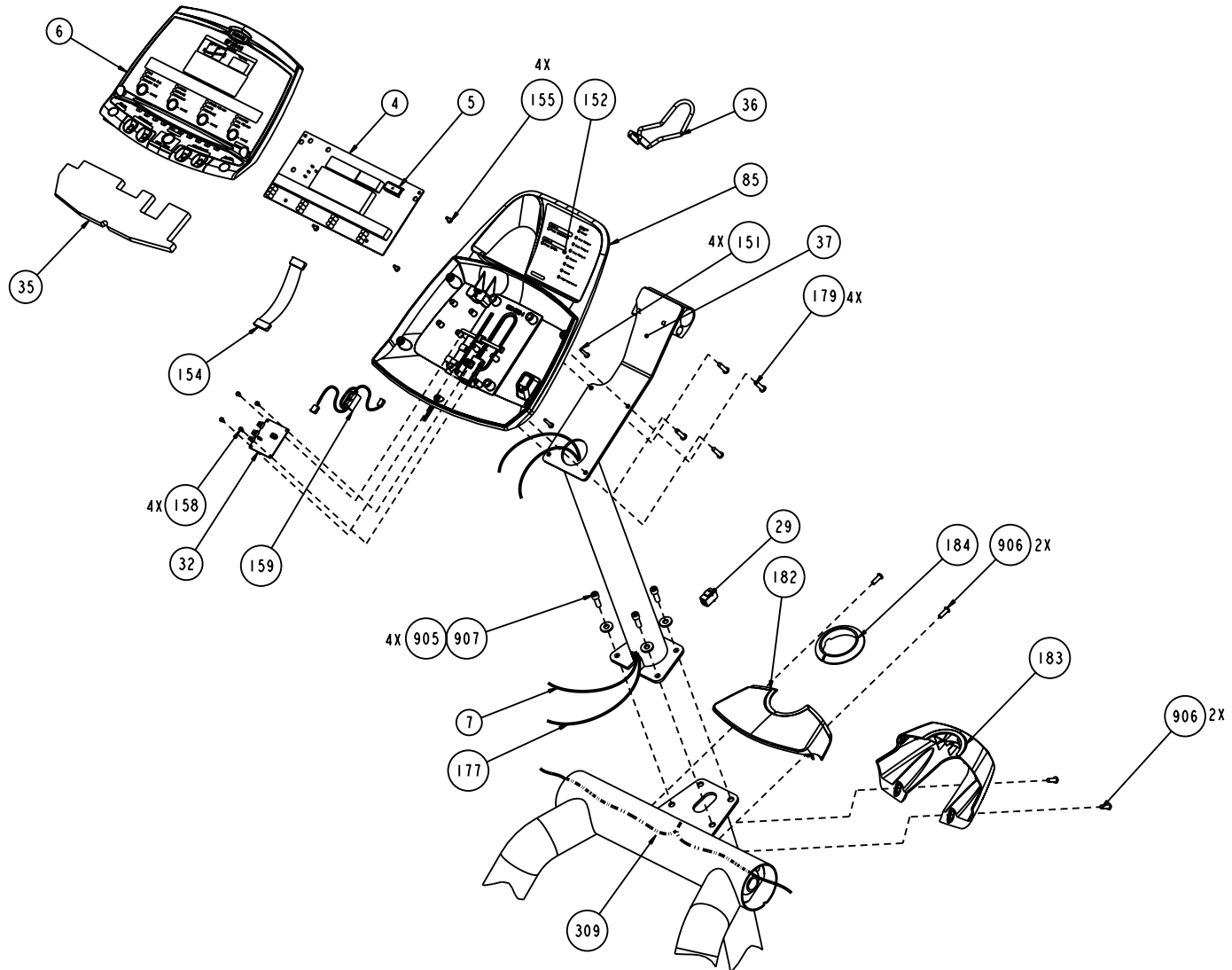
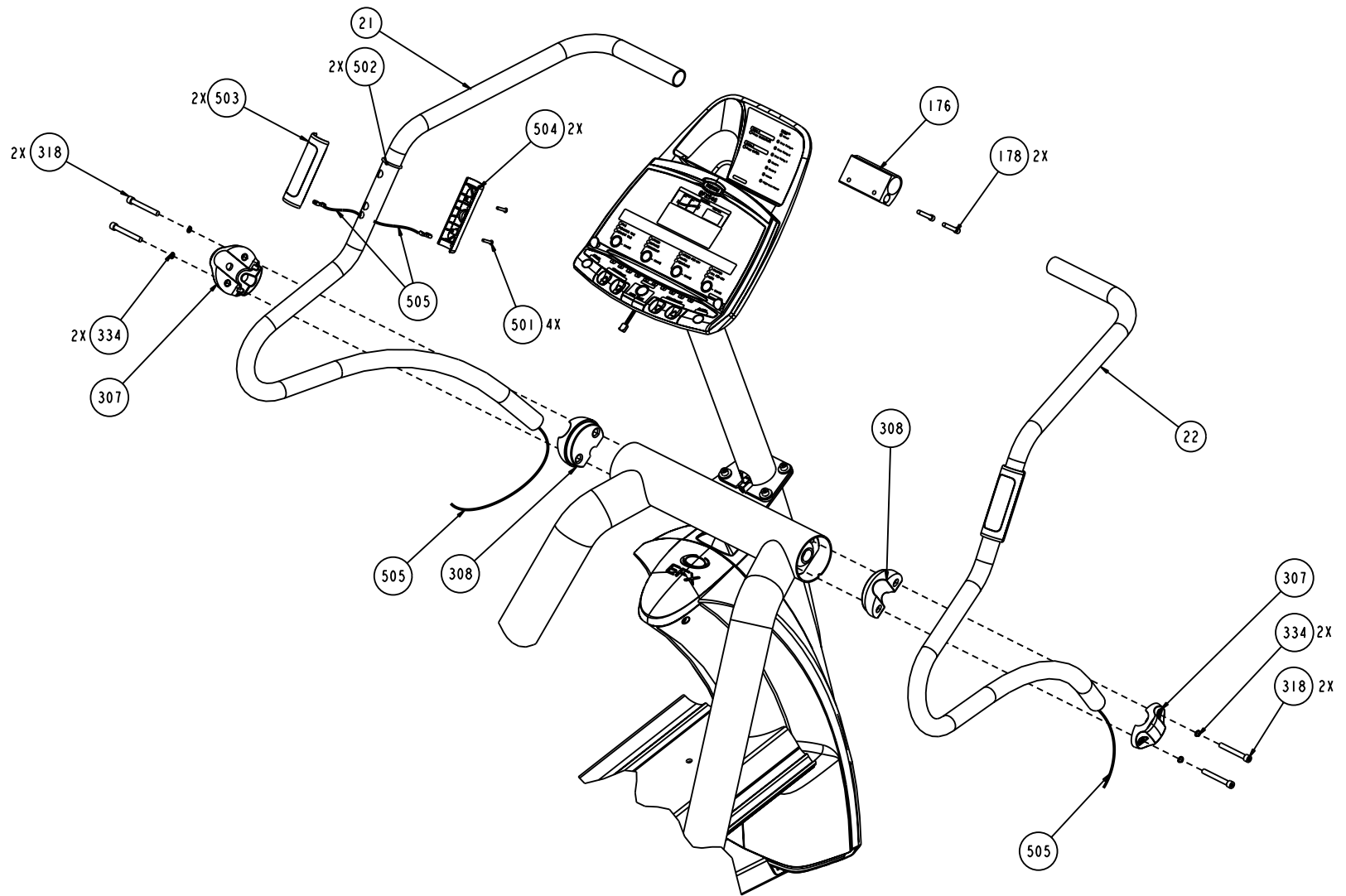


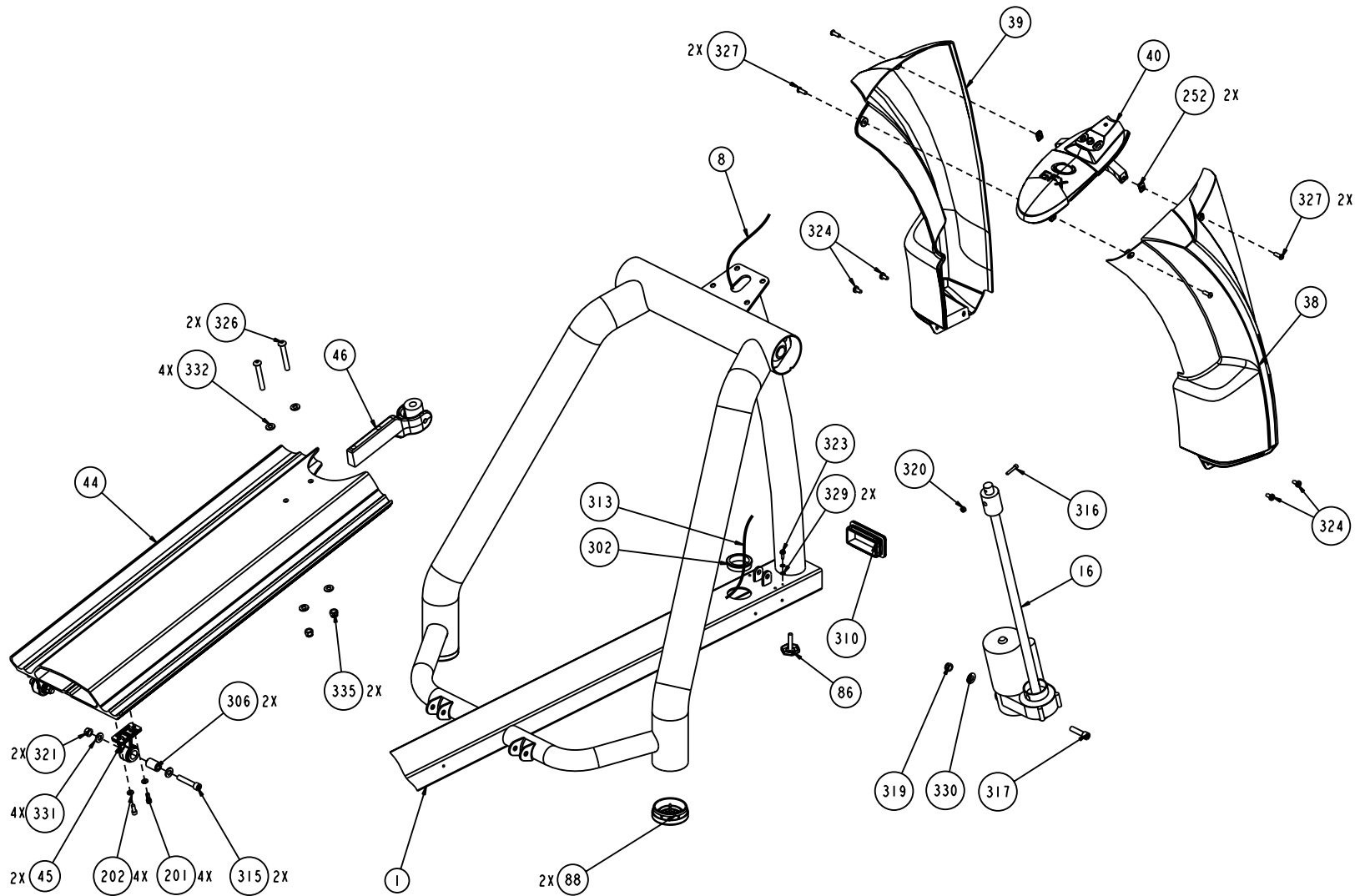
C546-NC	P/N 44668-101	REV: E01
DRAWN BY: M.HAMILTON	DATE: 11.14.02	SHEET 1 OF 7



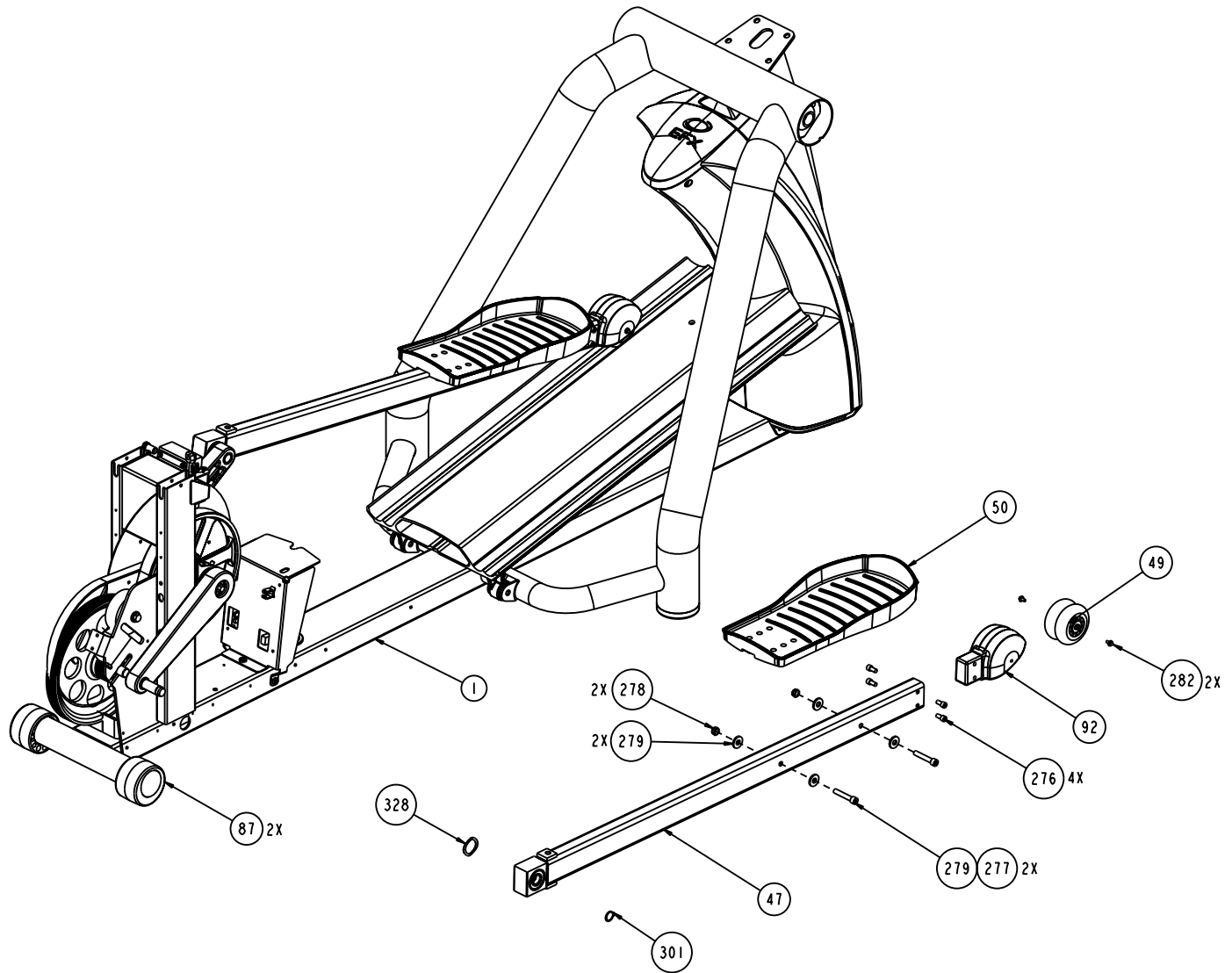
C546-NC	P/N 44668-101	REV: E01
DRAWN BY: M.HAMILTON	DATE: 11.14.02	SHEET 2 OF 7



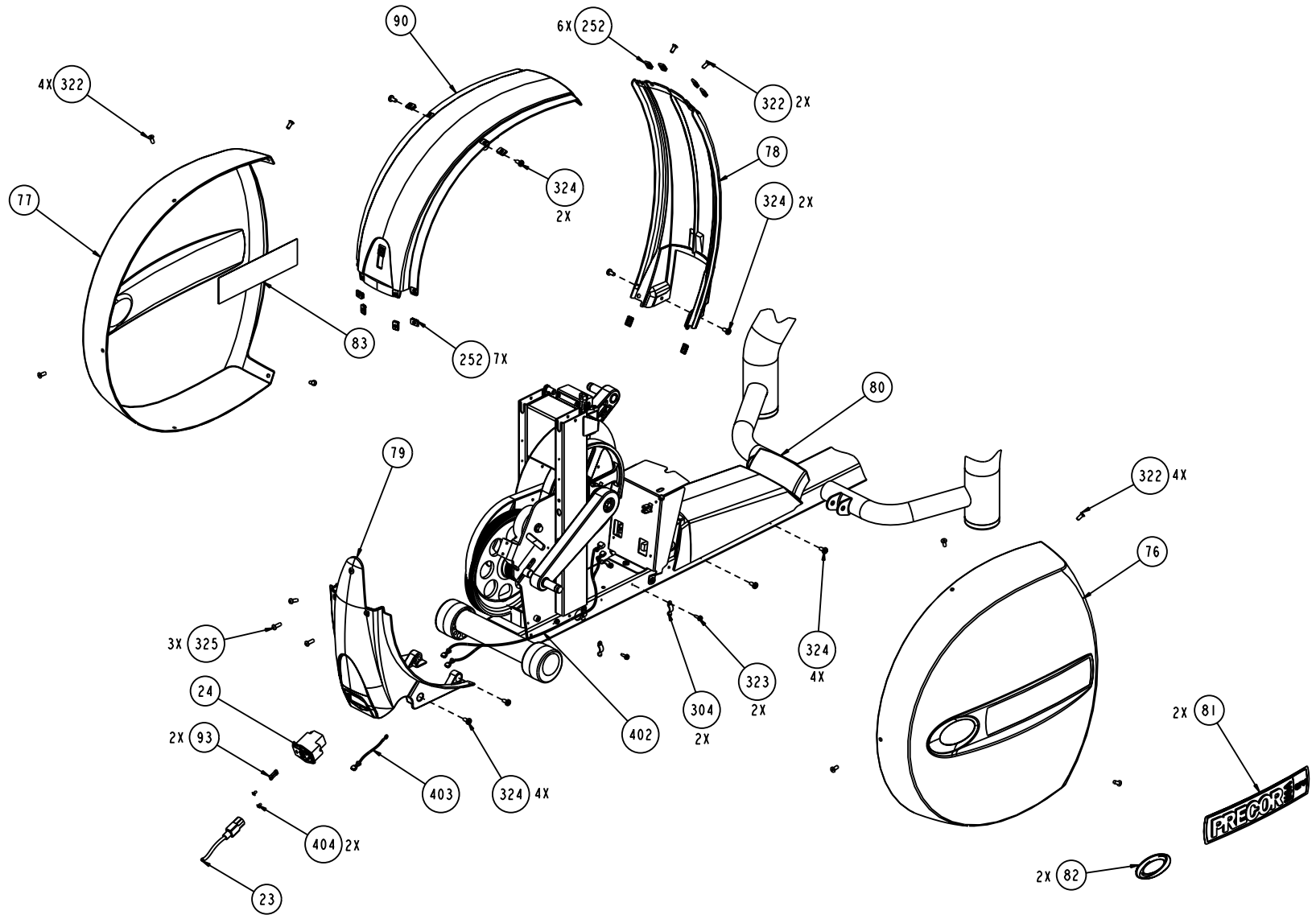
C546-NC	P/N 44668-101	REV: E01
DRAWN BY: M.HAMILTON	DATE: 11.14.02	SHEET 3 OF 7



C546-NC	P/N 44668-101	REV: E01
DRAWN BY: M.HAMILTON	DATE: 11.14.02	SHEET 4 OF 7



C546-NC	P/N 44668-101	REV: E01
DRAWN BY: M.HAMILTON	DATE: 11.14.02	SHEET 5 OF 7



C546-NC	P/N 44668-101	REV: E01
DRAWN BY: M.HAMILTON	DATE: 11.14.02	SHEET 7 OF 7

Precor - C546 V3 DC EX GT

Part Number	Description	Bubble Number
43770 - 105	WELDMENT, FRAME, 5X6, PT	1
39006 - 502	PCA,DISPLAY,C2	4
43586 - 521	ASSY,PCA&SW,C546(NC) SERIAL,UPR	4A
43587 - 202	PROM,PGMD,C546- C2(NC),UPR,V2.02	5
43700 - 501	ASSY, DISPLAY, LABEL,ENG,546, OOH	6
44905 - 036	ASSY,CLB,MOD,8P8C,1-1,36"	7
44905 - 108	ASSY,CLB,MOD,8P8C,1-1,108"	8
44691 - 522	ASSY,PCA&SW,C546(NC) SERIAL,LWR	9
44652 - 047	ASSY,SENSOR,HALL EFF,103SR11A,47"L	11
44442 - 103	ACTUATOR, LIFT,546NC,CALIBRATED	16
44518 - 101	ASSY, HANDLEBAR, C546 NC, LEFT	21
44518 - 102	ASSY, HANDLEBAR, C546 NC, RIGHT	22
10392 - 312	CORD,PWR,125VAC,10A,10.0FT,IEC DWN	23
12167 - 101	PWR ENTRY MOD & FILTER,250VAC,3A	24
11415 - 102	CONN,MODULAR 8 CONTACT INLINE	29
43579 - 102	BOARD, HAND HELD HEART RATE	32
44411 - 101	TOUCH SENSOR SHIELD,23 KEY	35
43329 - 102	DISPLAY,WIRE FORM,PT	36
43913 - 101	WELDMENT,FRAME,UPPER,EFX,NC,PT	37
44379 - 101	COVER,FRONT,RIGHT	38
44454 - 101	COVER,FRONT,LEFT	39
44555 - 101	ASSY, EFX COVER, FRONT, TOP	40
43792 - 102	RAMP, MACHINED, C546-NC	44
43795 - 102	ASSY, PIVOT BLOCK	45
45517 - 102	ASSY, LIFT NUT AND YOKE	46
50570 - 101	ASSY, STAIRARM/ RAIL PIVOT,C546	47
50578 - 101	ASSY, STAIRARM WHEEL AND AXLE	49
37314 - 107	PEDAL, FOOT	50
11406 - 101	FOOT, LEVELER	53
38305 - 102	FOOT,FRAME,MOLDED	54
37534 - 102	FOOT, ADJUSTABLE	55
43457 - 101	CRANK ARM, W/POWDER METAL, INSERT	58
11286 - 101	MAGNET, NEODYMIUM 30, DIA=.50	60
10217 - 130	BELT, DRIVE, POLY V (DAYCO 27-0628)	62
43920 - 101	ASSY,STEP-UP PULLEY,NC,COMM EFX	63
10217 - 129	BELT, DRIVE, 360J10 POLY V	64
39314 - 101	ELECTROMAGNET,EC BRAKE,	66
44471 - 103	ASSY,DRIVE WELDNT,COM EFX	75
44527 - 106	ASSY, EFX COVER, RIGHT SIDE	76
44527 - 107	ASSY,EFX COVER,LEFT SIDE,C546NC	77
44479 - 101	ASSY, FRONT PANEL, EFX COVER, REAR	78
43707 - 101	SUPPORT, REAR COVER	79
43840 - 101	WEDGE, REAR COVER, EFX	80
38215 - 103	LABEL,EFX LOGO,REAR COVER,DURO-LENZ	82
43701 - 501	LABEL,WIRING DIAG.,C546 SERIAL, OOH	83
43179 - 101	BACKPLATE, DISPLAY, COMMERCIAL	85
11406 - 101	FOOT, LEVELER	86
37534 - 102	FOOT, ADJUSTABLE	87
38305 - 102	FOOT,FRAME,MOLDED	88

44480 - 102	ASSY, TOP PANEL, EFX COVER, REAR	90
43702 - 502	WHEEL, COVER, 556, PT, OOH	92
12315 - 400	FUSE,2- ELEMENT,TIME-DELAY	93
11075 - 105	FUSE,2.00A,250VAC,SLOW,RADIAL	94
50581 - 101	KIT, 546, 556 NC INPUT DRIVE ASSEMB	97
38320 - 102	IDLER,PULLEY	98
12264 - 101	RJ-45 TELEPHONE JACK PLUG	101
MGCN016 - 063	SCREW,MCH,8-32X5/8,PANHD,PHIL,	105
CCKN038 - 150	SCREW,SKHD,3/8-16X1.50,BLK ZN,LK	107
11311 - 101	ENDCAP, 4X2, 2.31/240	123
43930 - 101	BRACKET, PCA, EFX, PT	125
CAKN031 - 100	SCREW,SKHD,5/16-18X1,BLK ZN,LK	128
43582 - 107	LABEL, ACCESSORY TRAY, ENG,546	152
39029 - 501	ASSY,CABLE,TOUCHSENSOR	154
PGKN016 - 050	SCREW,S/T,#8X1/2,TRS,PHIL,BLK	155
MGKN013 - 025	SCREW,MCH,6-32X1/4,PANHD,PHIL,	158
44954 - 013	ASSY,CBL,HHR TO DISPLAY,13"	159
10123 - 102	CABLE TIE,3-7/8 LONG,WHITE,NYL	160
37499 - 102	CLAMP, HANDLEBAR,BLACK, PT	176
44633 - 036	ASSY, CABLE, HHR PCA, 36"	177
CAKN025 - 150	SCREW, SKHD,1/4-20X1.50,BLK ZN,LK	178
TAKN025 - 100	SCREW,BTHD,1/4-20X1,BLK ZN	179
43175 - 102	COVER, CLAMP, UPPER	182
43176 - 101	COVER, CLAMP, LOWER	183
43177 - 101	GROMMET, CLAMP COVER	184
WPNN038 - 008	WASHER,FLT,5/16X.875X.104,SS	191
CAKN025 - 063	SCREW,SKHD,1/4-20X5/8,BLK ZN,LK	201
WPNN028 - 006	WASHER,ID=.276,OD=.5,THK=.060	202
WAGSN072 - 00	WASHER, WAVE .1.05 O.D., .755	250
44356 - 101	LABEL, CAUTION 5.33	251
10136 - 103	CLIP,U TYPE, TINNERMAN, 1/4-20	252
50583 - 101	CS KIT, FOOT PEDAL PLUG, EFX, 12 PC	270
CCNN025 - 050	SCREW,SKHD,1/4-20 X0.50,SS,LK	276
CCNN031 - 200	SCREW,SKHD,5/16-18X2,SS,LK	277
KADN031 - 016	LOCKNUT,HALF,5/16-18,CAD PLT	278
WPNN038 - 008	WASHER,FLT,5/16X.875X.104,SS	279
DFNT016 - 038	SCREW, SEMS, 8-32 X .375, HEX, SS	282
ABHN017 - 001	RING, RETAINER, EXTERNAL	301
10178 - 114	BUSHING,SNAP-IN,2.00OD X 1.64 ID	302
12103 - 101	CLAMP,CABLE,VINYL COATED	303
12240 - 101	CLAMP, CABLE	304
33984 - 101	LABEL, SAFETY, GROUND SYMBOL	305
43798 - 102	SHAFT, PIVOT BLOCK, C5X6-NC	306
44516 - 101	CASTING,HNDLBAR MOUNT,OUTER,C546,PT	307
44517 - 101	CASTING,HNDLBAR MOUNT,INNER,C546,PT	308
44689 - 015	ASSY,CBL, HHR INTERFACE, 15"	309
11311 - 101	ENDCAP, 4X2, 2.31/240	310
10178 - 114	BUSHING,SNAP-IN,2.00OD X 1.64 ID	312
45109 - 068	ASSY,CBL,LPCA TO LIFT,68"	313
CAKN031 - 100	SCREW,SKHD,5/16-18X1,BLK ZN,LK	314
CAKN038 - 200	SCREW,SKHD,3/8-16X2,BLK ZN,LK	315
CBKN019 - 100	SCREW,SKHD,10-32X1,BLK ZN,LK	316

CCKN038 - 150	SCREW,SKHD,3/8-16X1.50,BLK ZN,LK	317
CAKE031 - 250	SCREW,SKHD,5/16-18X2.50,BLK ZN,LK	318
KAKN038 - 027	LOCKNUT,HALF,3/8-16,BLK ZN	319
KECN019 - 014	LOCKNUT, FULL 10-32, ZINC	320
KGCN038 - 033	LOCKNUT, STARWASHER, 3/8-16	321
TAKN025 - 075	SCREW,BTHD,1/4-20X3/4,BLK ZN	322
PKCN019 - 050	SCREW,S/T,#10X1/2,WSHHXHD,ZN	323
PMKN025 - 050	SCREW,PANHD,PHIL,TYPEF,1/4-20X.5,BZ	324
TCNN038 - 275	SCREW, BTHD,3/8-16X 2.75, SS	326
TFKN025 - 075	SCREW,BTHD,1/4-20X3/4,BLK ZN	327
WAGNN062 - 001	WASHER, WAVE, .87 OD X .62 ID	328
WATNN020 - 002	WASHER, LK-INT, #10, ID=.200,	329
WBFNN047 - 002	WASHER,MYLAR,7/16	330
WBKN038 - 007	WASHER, FLT, 3/8, ID=.406, BLK ZN	331
WBANN034 - 013	WASHER,FLAT,ID=11/32,OD3/4,TH=.125,	332
WPNN038 - 006	WASHER, FLAT, 3/8 X 1/16 THK,	333
WALKN031 - 008	WASHER, 5/16 SPLIT LOCK, BLACK ZINC	334
KDKN038 - 034	LOCKNUT,FULL,3/8-16,BLK ZN	335
11284 - 101	GROM, HORSE SHOE, 3/4W X 3/4L	351
11745 - 101	CLIP,SNAP-IN,NYLON,1/4"DIA	352
37385 - 101	BRACKET, TENSIONER	353
37855 - 102	TAB, LOCKING	354
44402 - 101	NUT PLATE, EC BRAKE,EFX	355
44953 - 038	ASSY,CLB,PCA/MAGNET,38"	356
HACN025 - 250	SCREW,1/4-20X2-1/2,HEX,GR 2,ZN	357
HCRN031 - 075	SCREW,HEX,GR 5,5/16-18X3/4,SIL ZN	358
HTKT008 - 018	BOLT,SHIMANO CRANK,M8X18MM, NYLK	359
KGCN038 - 033	LOCKNUT, STARWASHER, 3/8-16	360
MGCN019 - 175	SCREW,PANHD,#10-24 X 1.75 LG, ZN	361
WACN019 - 005	WASHER, FLT, #10X.500X.049,ZN	362
WNNN032 - 009	WASHER,FLT, .321X1.00X.090 THK	363
WRCN038 - 011	WASHER,GRADE 8,3/8,13/32 ID,13/16OD	365
37436 - 101	LABEL, CHASIS NEUTRAL	401
44435 - 021	ASSY,CBL,2-COND,18AWG,21",QK DISC	402
44437 - 013	ASSY, CABLE, GND,RING/QK DISC,13"	403
MNCN013 - 031	SCREW, MCH,6-32X5/16,FLTHD,PHIL	404
TCNN016 - 075	SCREW, BTHD, 8-32X.75,SS	501
10115 - 113	O-RING, ROUND, 1.25ID X .139	502
42713 - 102	HHHR SENSOR, TOP	503
42714 - 102	HHHR SENSOR, BOTTOM	504
44688 - 048	ASSY, CABLE, HHR GRIP, 48"	505
11278 - 101	CABLE CLAMP, INSERT	551
43930 - 101	BRACKET, PCA, EFX, PT	552
MGCN016 - 063	SCREW,MCH,8-32X5/8,PANHD,PHIL,	553
44672 - 103	KIT,HARDWARE,C546 NC	901
10186 - 101	WRENCH, ALLEN, 5/32	902
10186 - 102	WRENCH, ALLEN, 1/4	903
10186 - 103	WRENCH, ALLEN, 3/16	904
CCNN031 - 088	SCREW,SKHD,5/16-18X7/8,SS,LK	905
TFKN025 - 075	SCREW,BTHD,1/4-20X3/4,BLK ZN	906
WPNN038 - 008	WASHER,FLT,5/16X.875X.104,SS	907
44667 - 102	KIT,LITERATURE, C546 NC	999